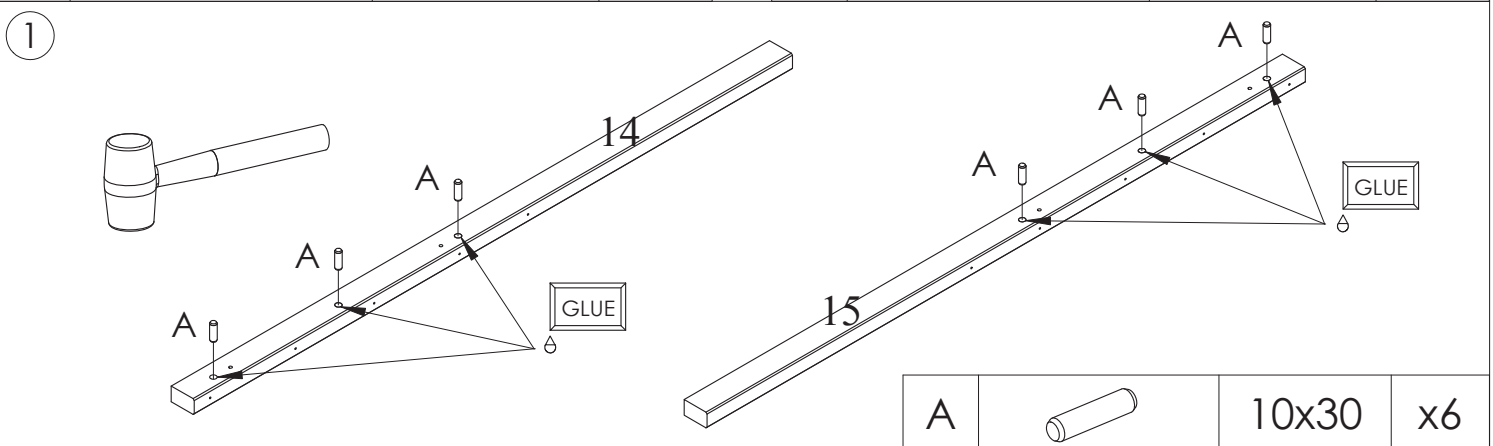
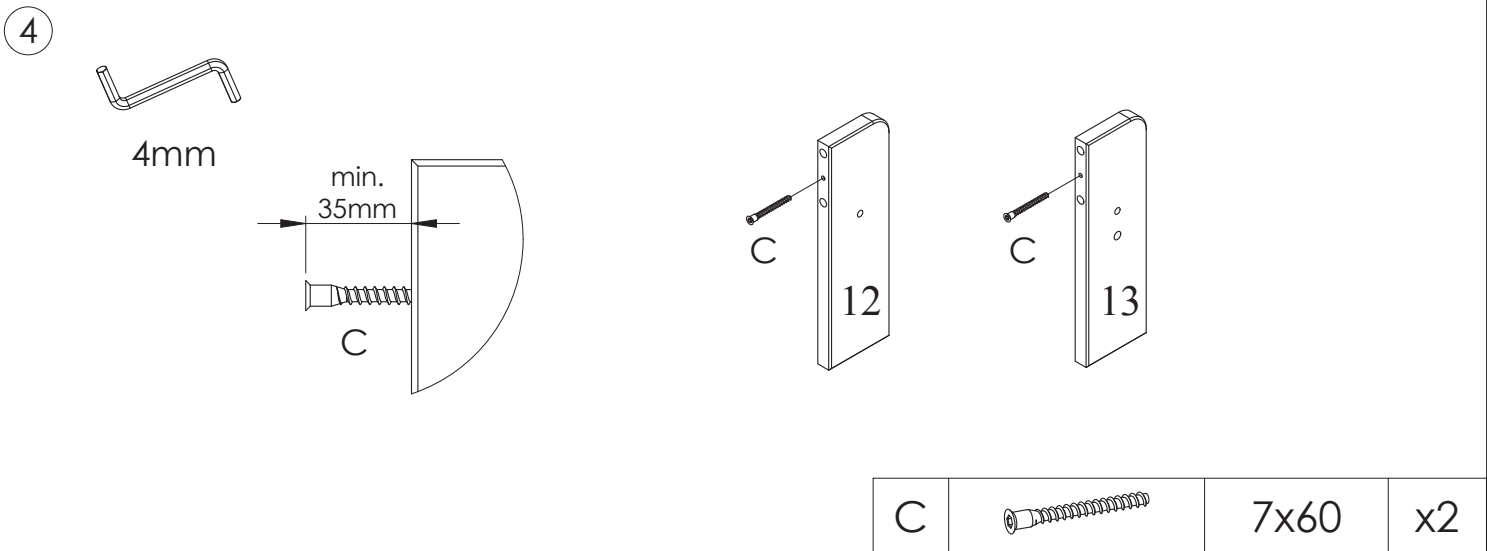
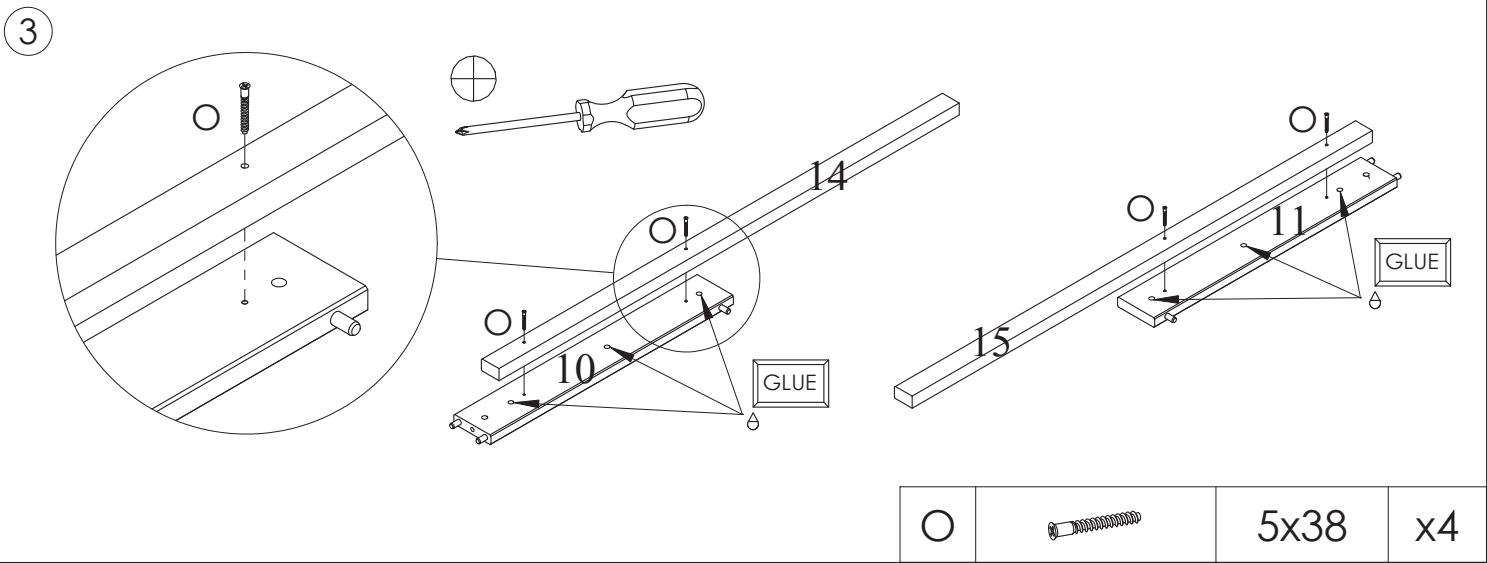
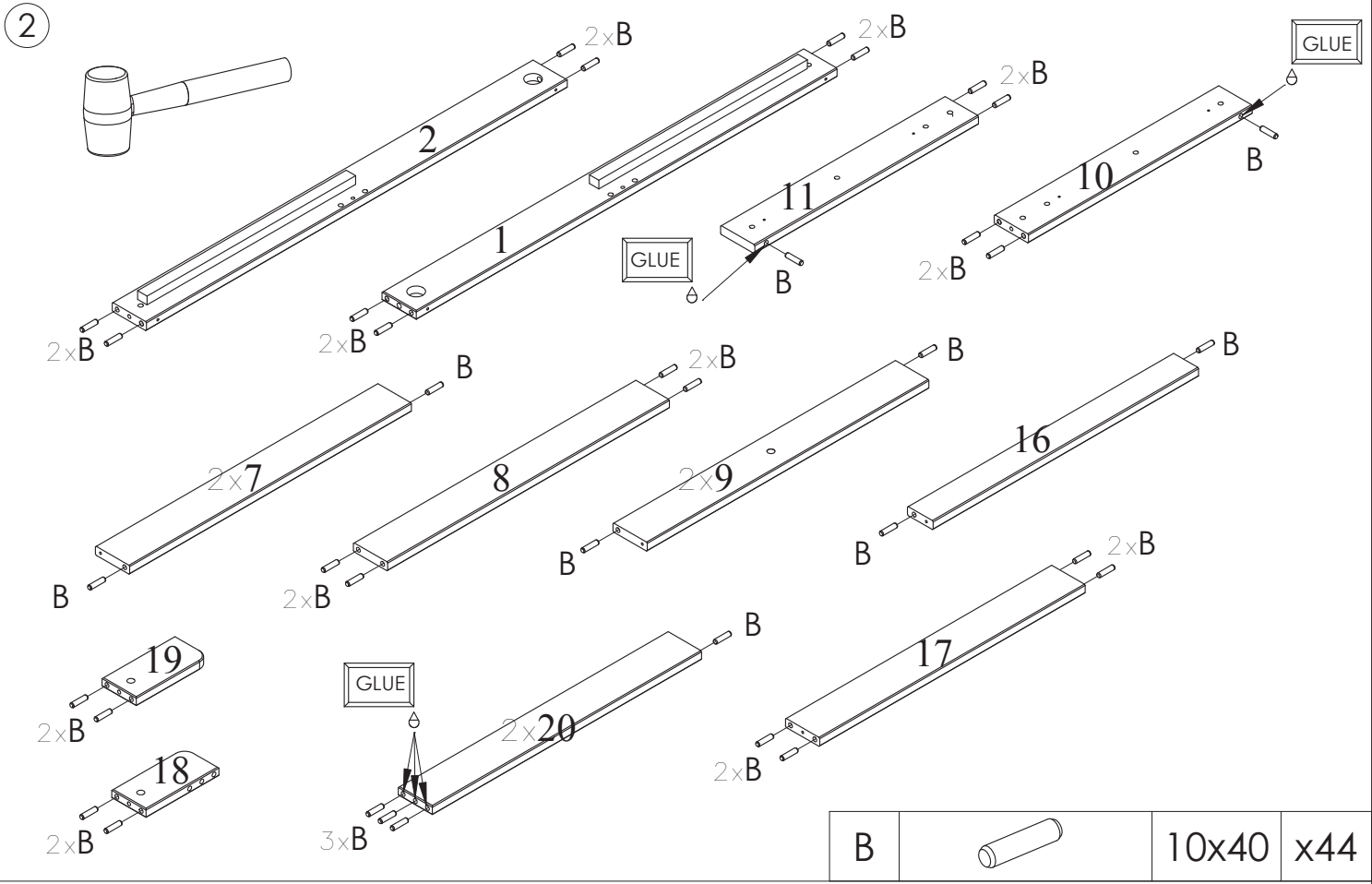


A		10x30	x6
B		10x40	x44
C		7x60	x2
D		7x50	x2
E		D35	x2
F		6,3x90	x10
G		6,3x50	x2
H		M6x90	4
J		M6x10x13	4
K		M6x8x20	2
L		M6x46	2

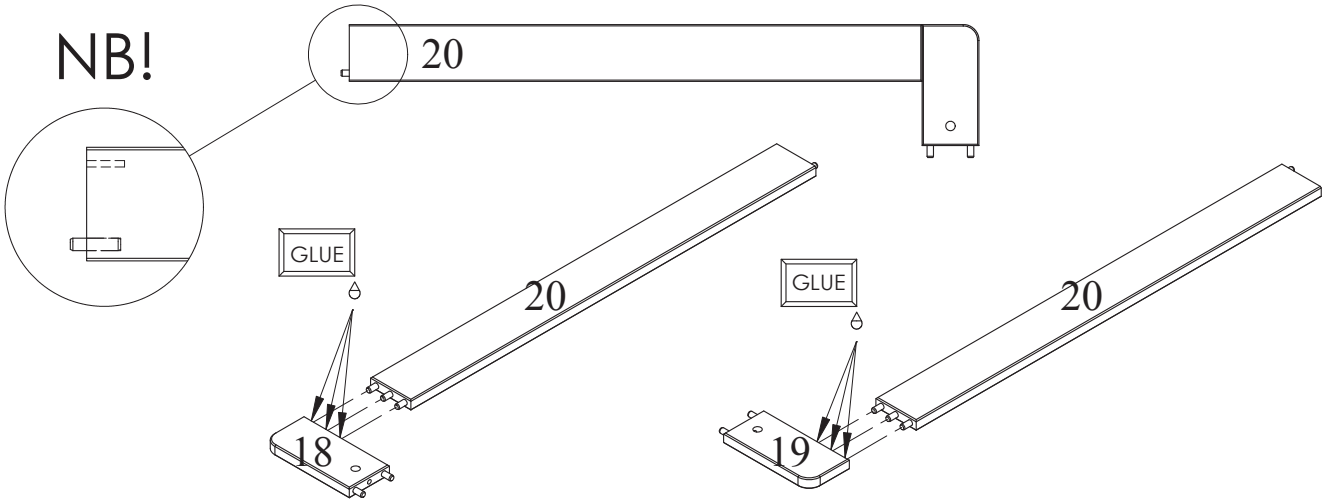
M		D14x13,5	2
N		M8x8	2
O		5X38	X4
P		3,5x40	x12
Q		D4x13	x2
R		D8x13	x6
S		D10x15	x6
T		D15x18	x16
U		GLUE	x1
X		6mm	x1
V		4mm	x1



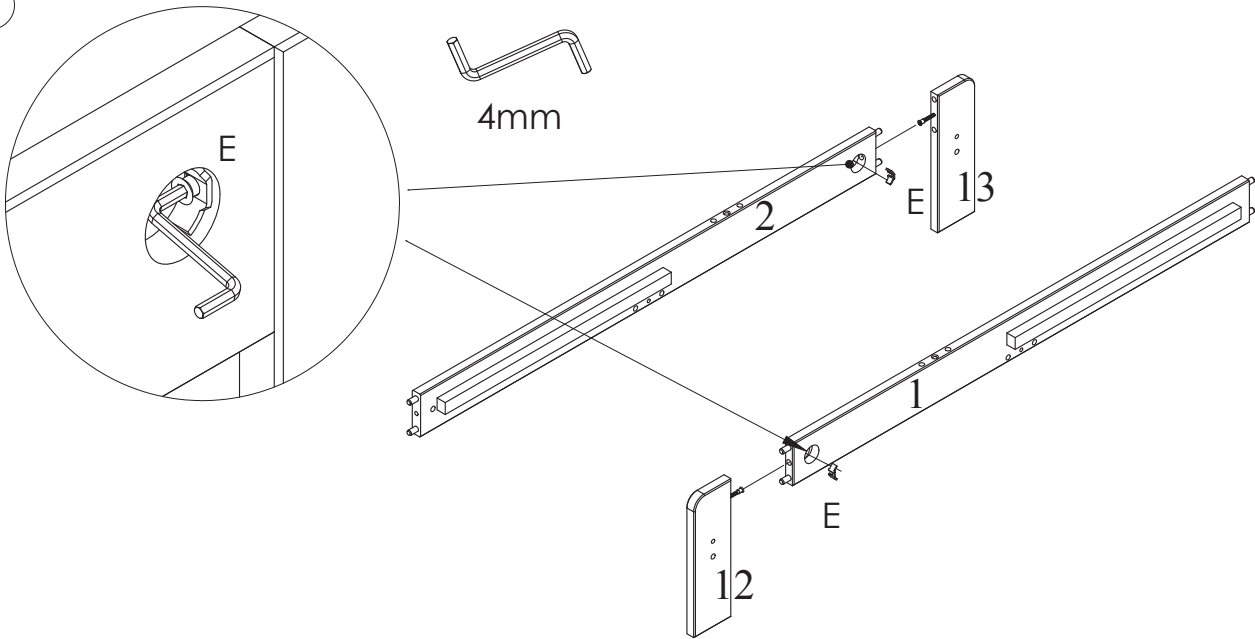


5

NB!

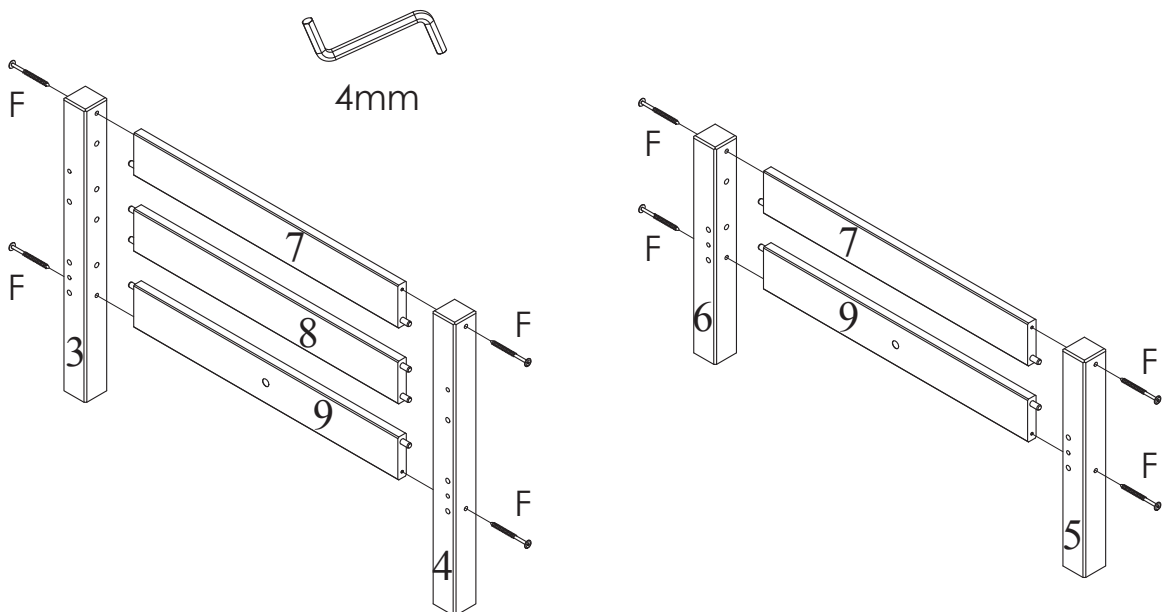


6



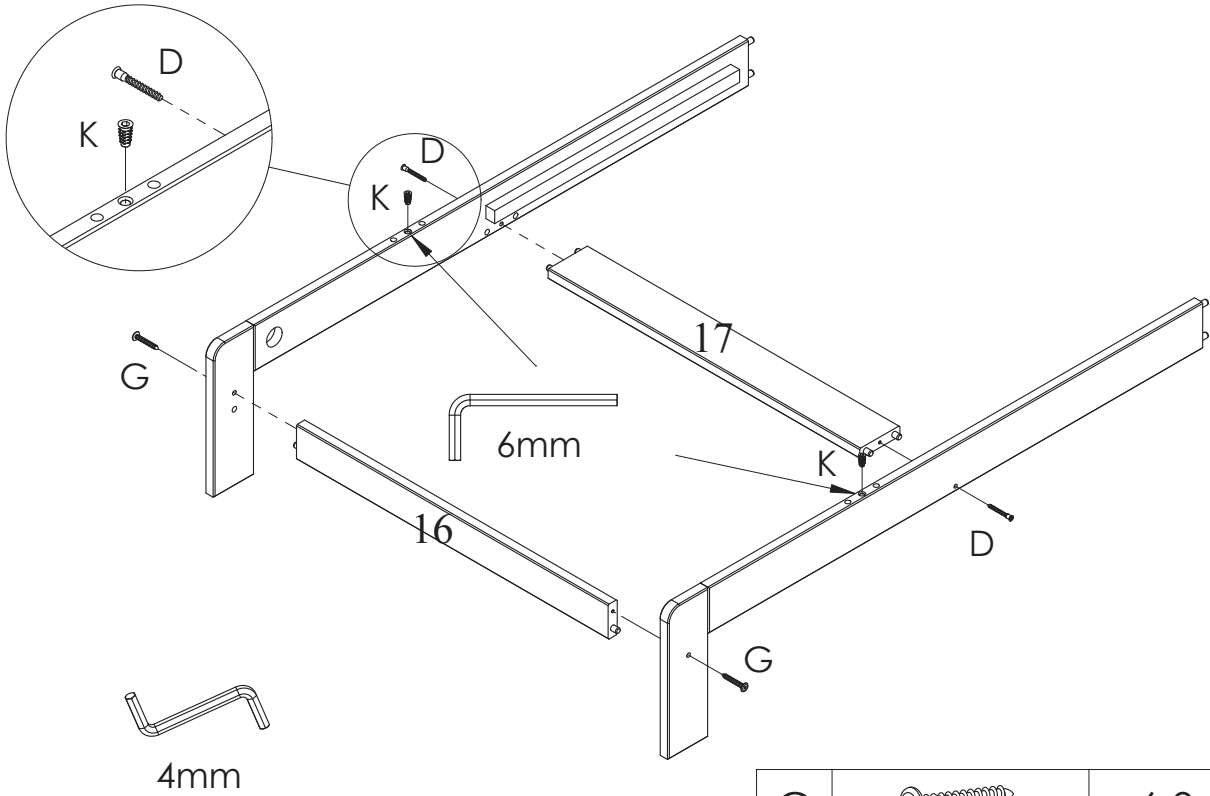
E		D35	x2
---	---	-----	----




7



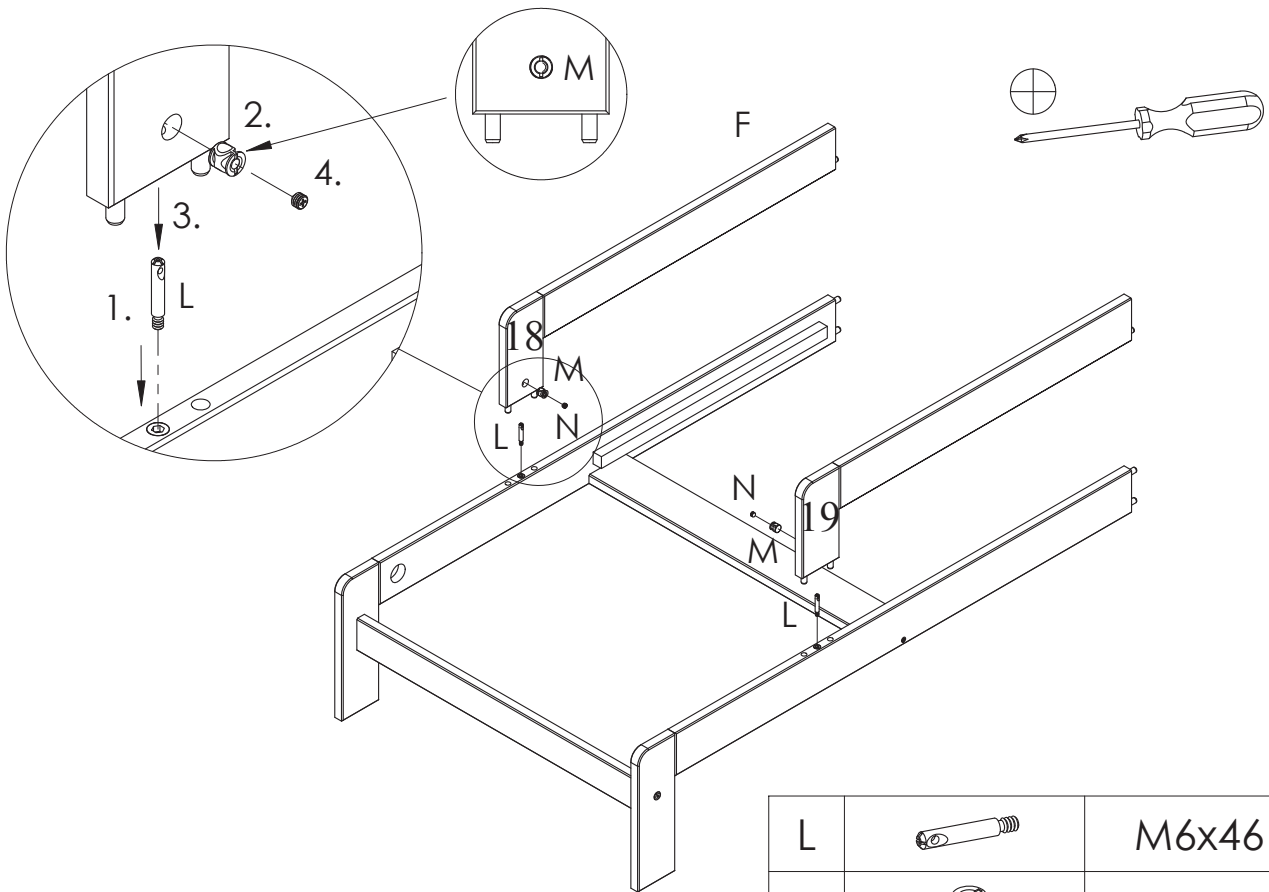
F		6,3x90	x8
---	---	--------	----




8



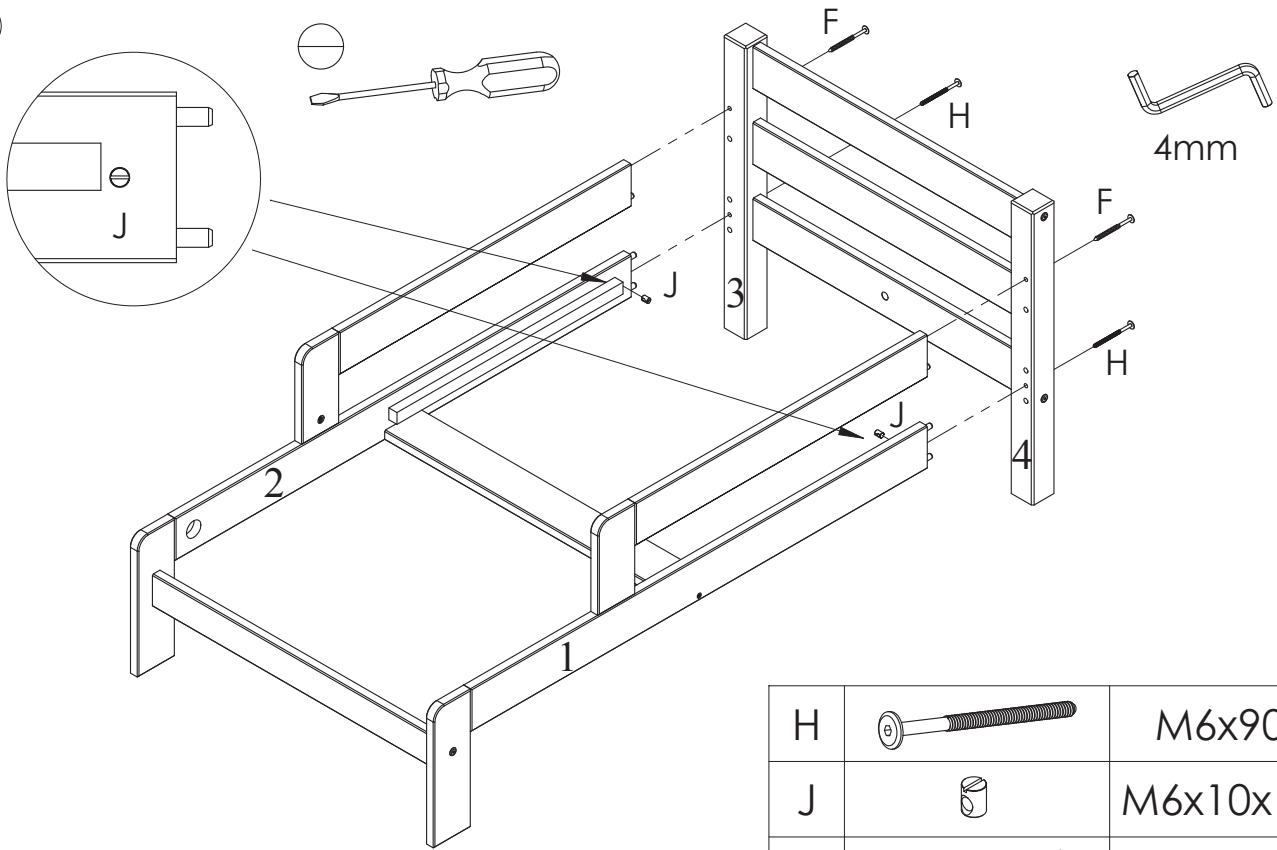
G		6,3x50	x2
D		7x50	x2
K		M6x8x20	x2



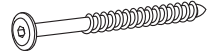
9



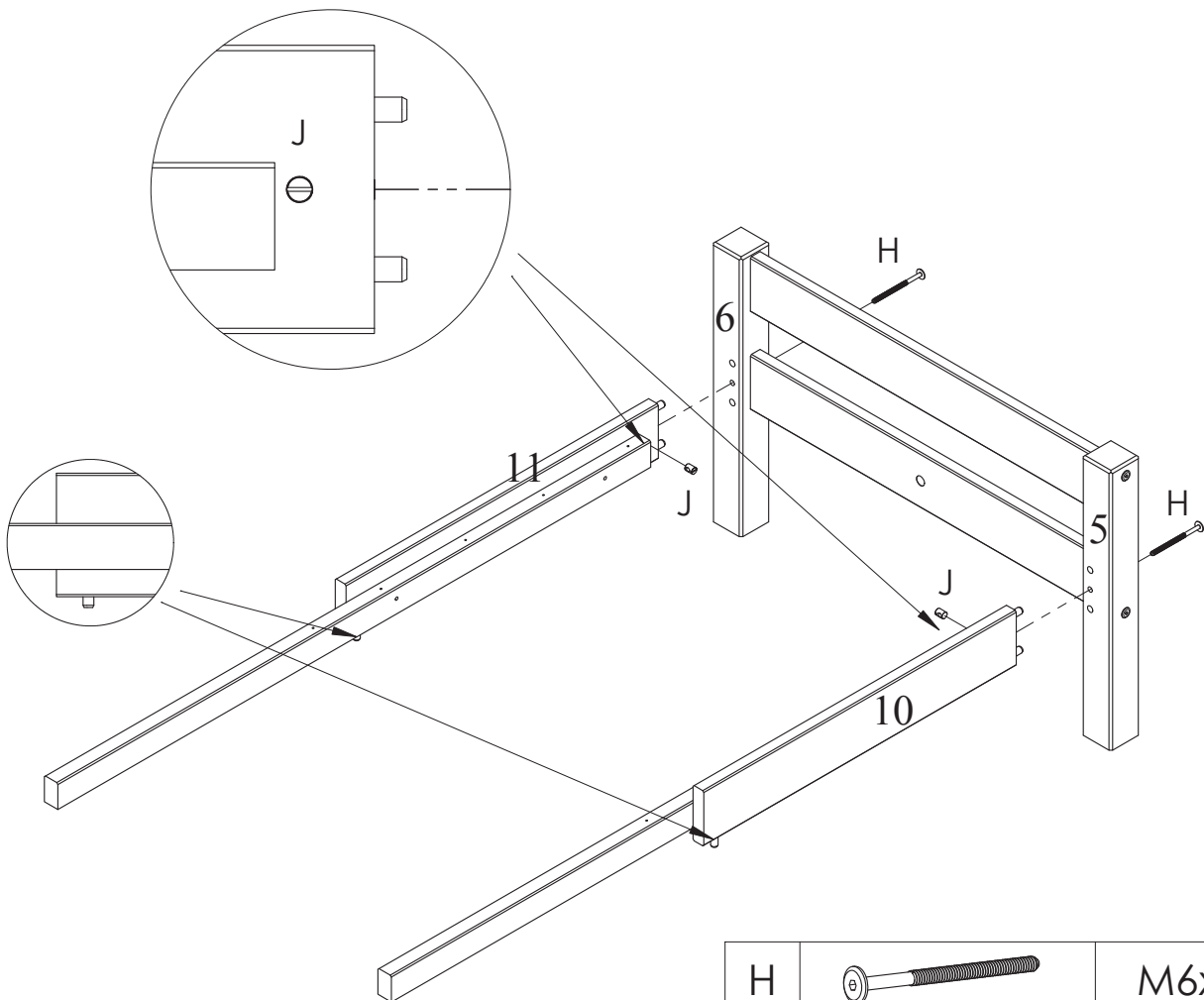
L		M6x46	x2
M		D14x13,5	x2
N		Mx8x8	x2



10



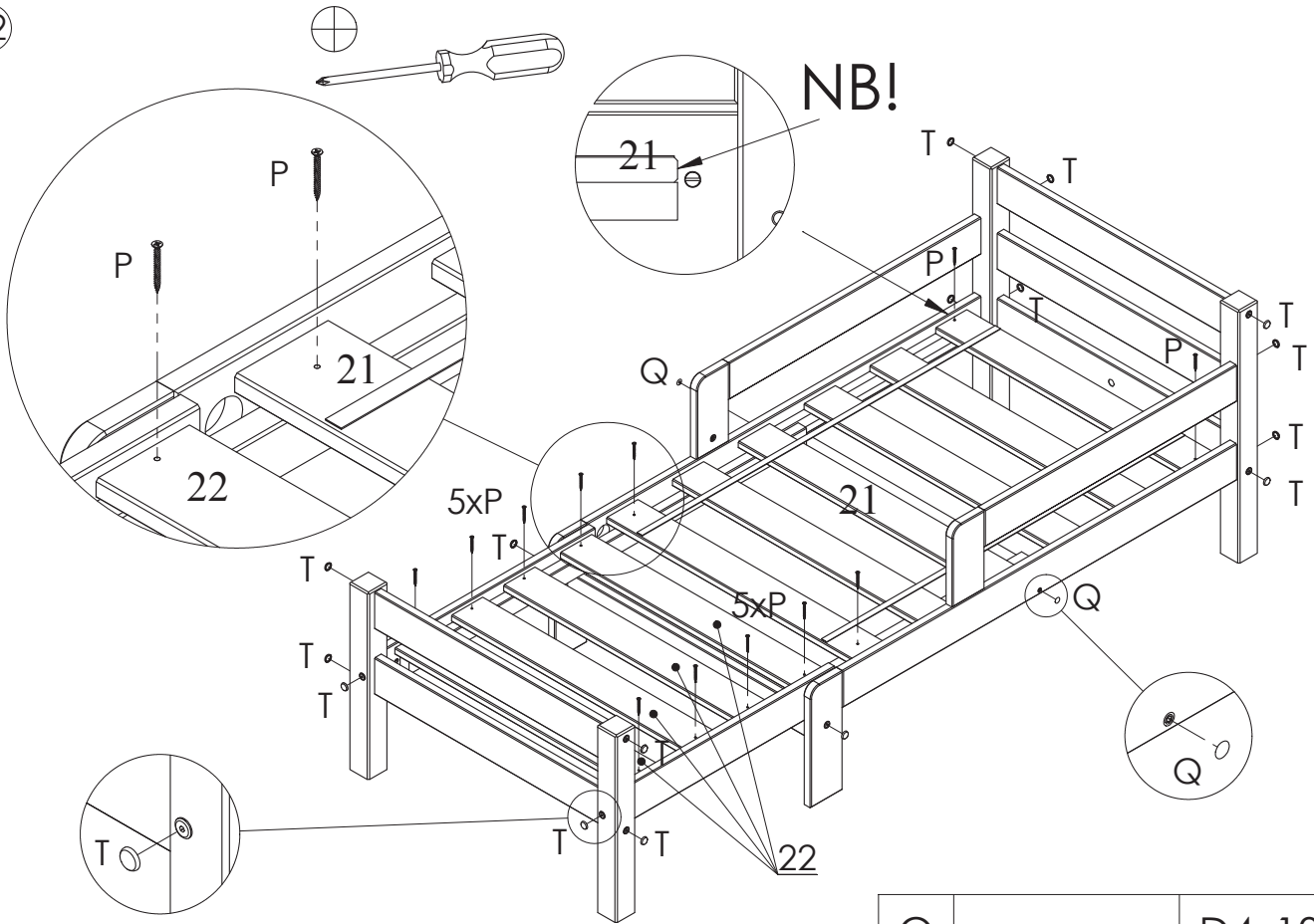
H		M6x90	x2
J		M6x10x13	x2
F		6,3x90	x2

11



H		M6x90	x2
J		M6x10x13	x2

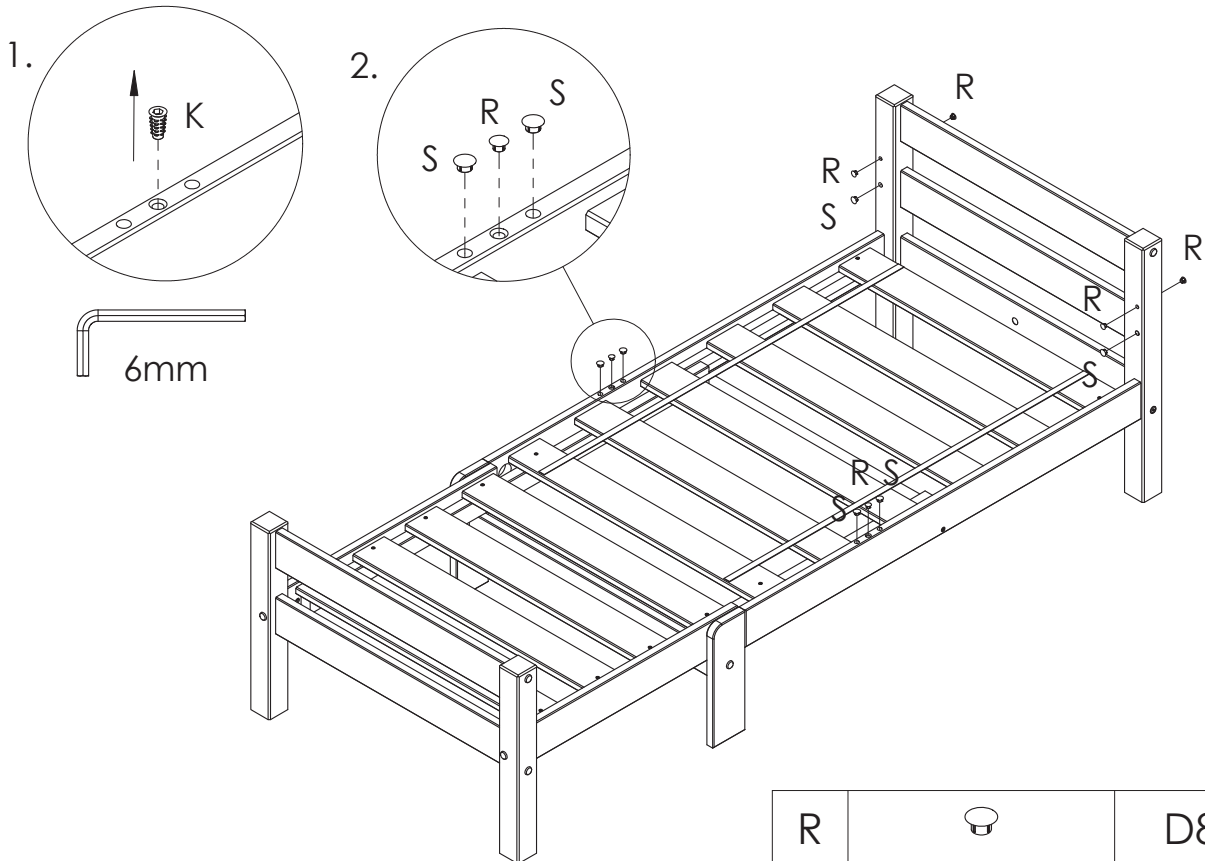
12



Q		D4x13	x2
T		D15x18	x16

P		3,5x40	x12
---	--	--------	-----

13



R		D8x13	x6
S		D10x15	x6